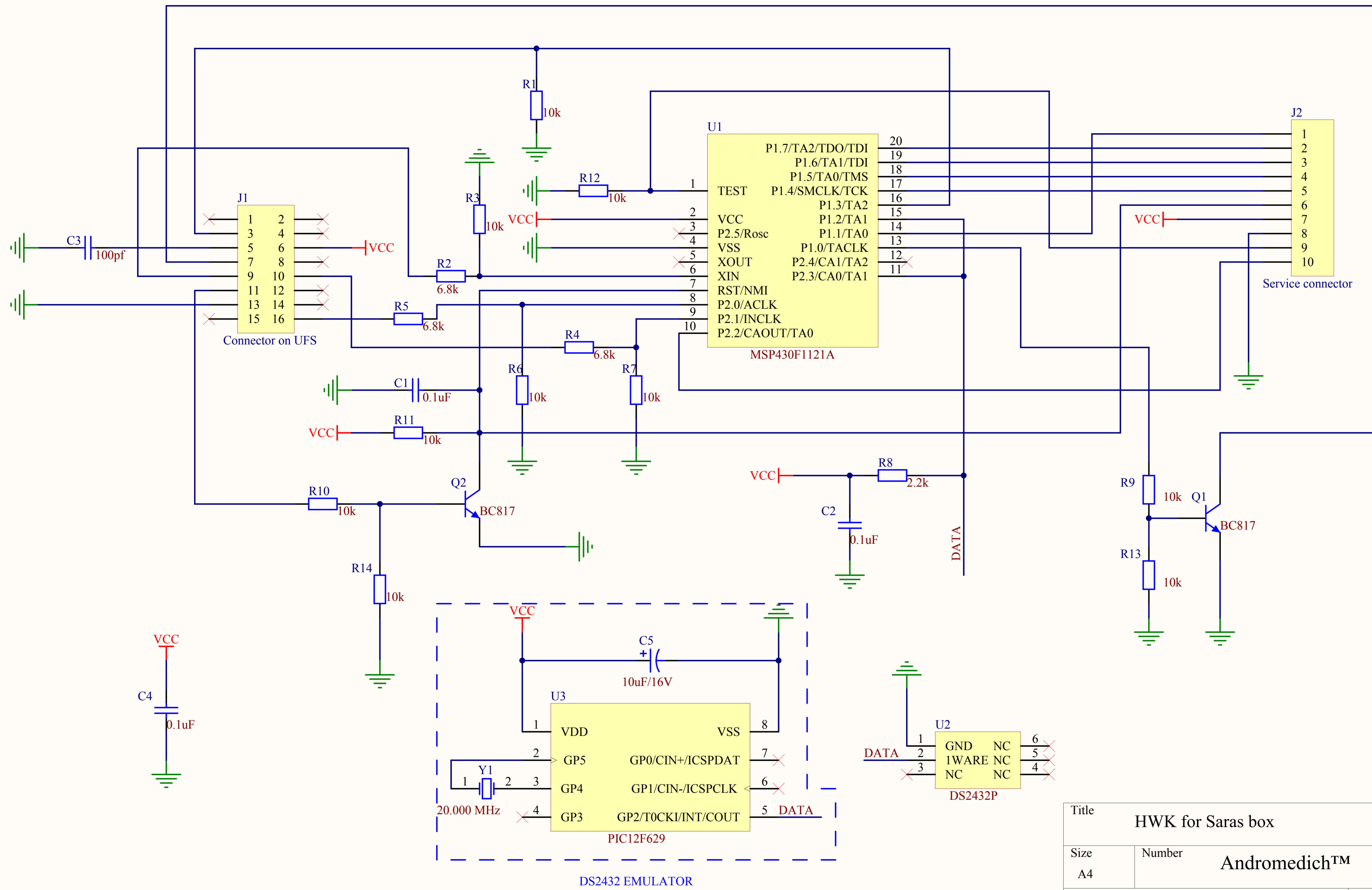


HWK for Saras box



Title			HWK for Saras box		
Size	Number		Andromedich™		Revision
A4					
Date:	12.03.2006		Sheet of		
File:	C:\HWK.SCHDOC		Drawn By:		